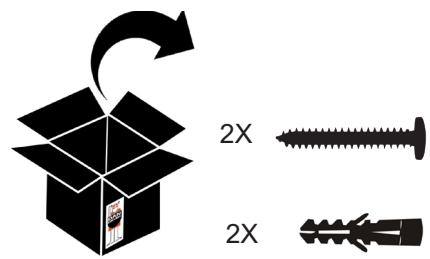
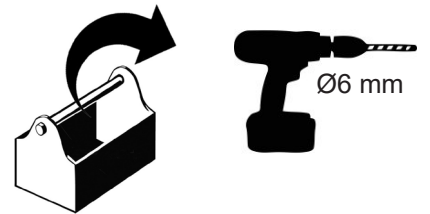


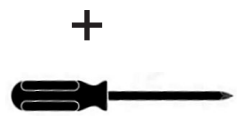
# 610-612 Hair Dryer with 3-speed settings



2X   
 2X

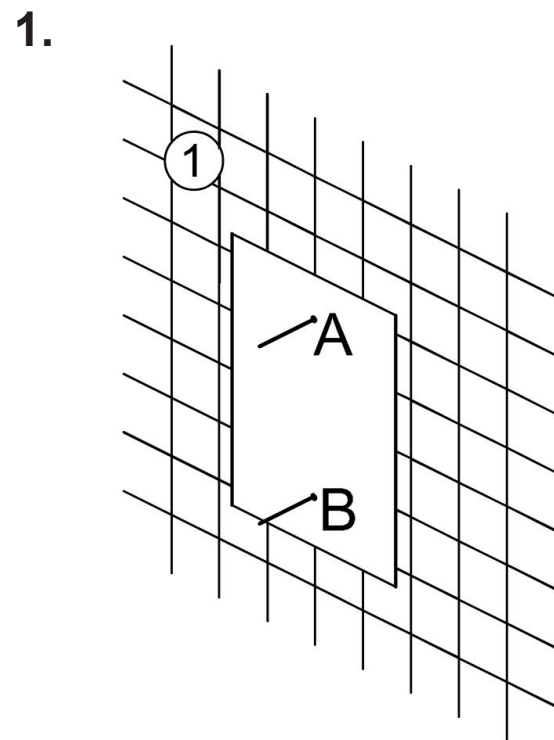
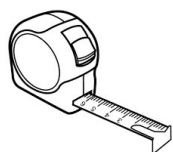


Ø6 mm

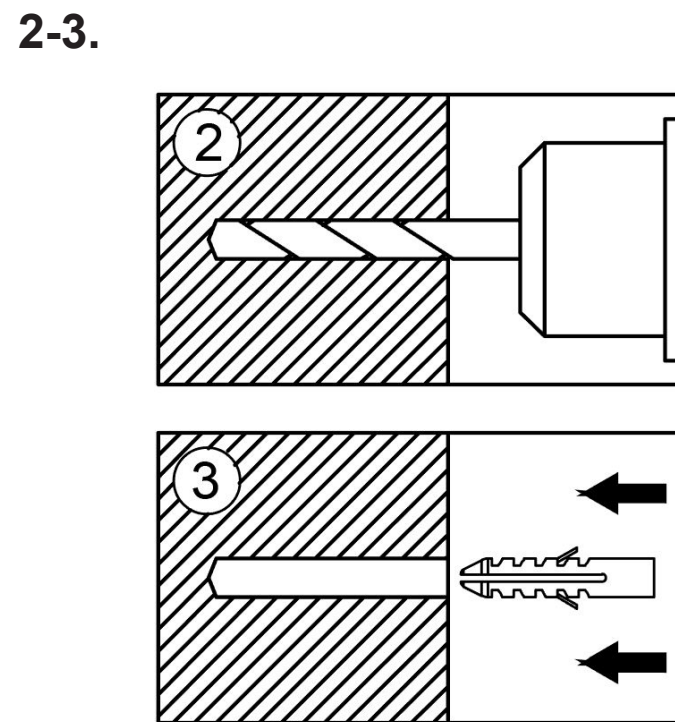


+

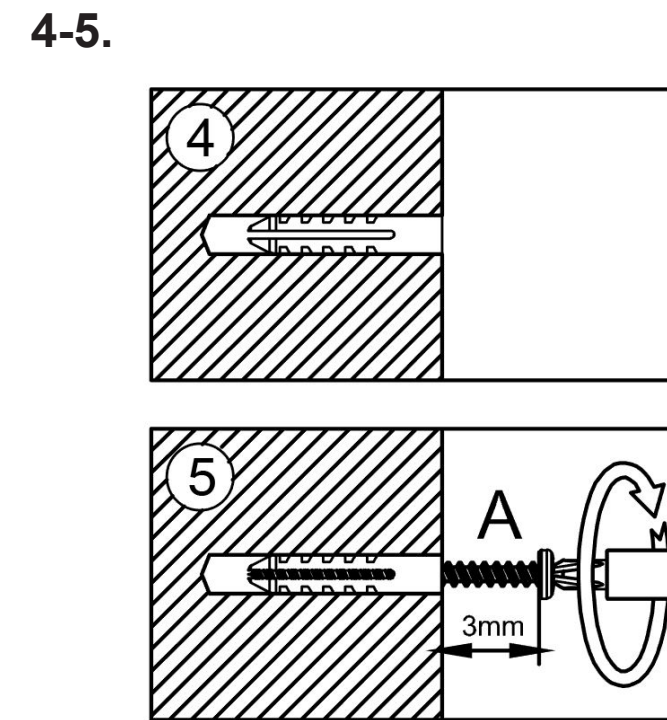
+



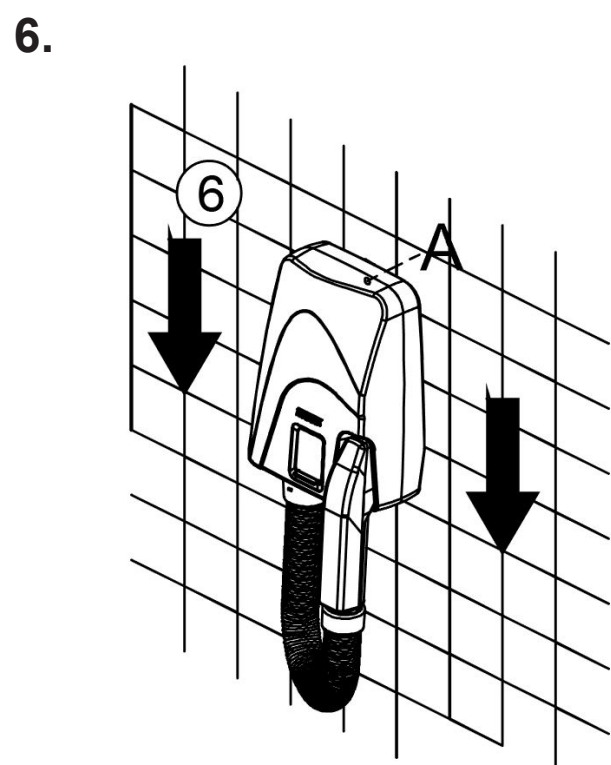
1. Attach the template to the wall and mark positions (A) and (B) on the wall.



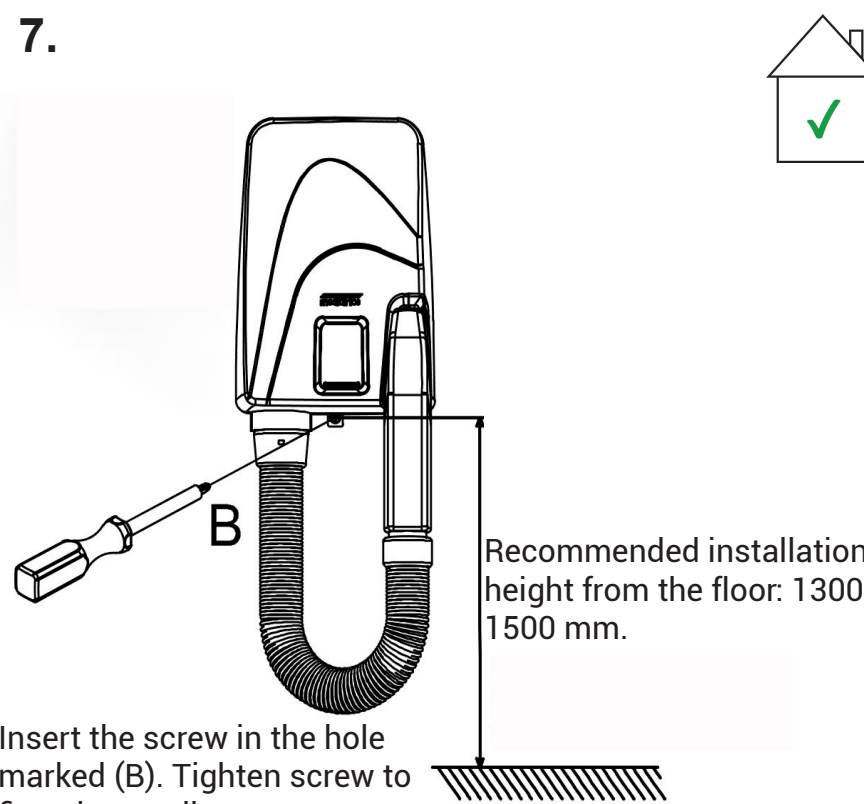
2-3. Drill 6 mm holes in the wall and push rawl plugs into the holes. Use plugs suitable for the material of which the wall is made.



4-5. Make sure that the end of the wall plug is flush with the surface. Tighten the screw in the hole marked (A), leaving 3 mm space between wall and schrew head.



6. Place the hair dryer on screw (A). Push the unit gently downwards and tighten the screw.



7. Insert the screw in the hole marked (B). Tighten screw to fix unit to wall.

Recommended installation height from the floor: 1300-1500 mm.

## IMPORTANT!

Fixed installation must be carried out by a qualified electrician.

It is recommended to install the hair dryer observing the safety regulations acc. to DIN VDE 0100 (section 701).



## Important information regarding disposal of your electrical equipment

- Products labeled with the crossed-out wheeled bin symbol represent electrical and electronic equipment and fall within the scope of the WEE directive.
- The product should not be disposed of with normal household waste and is subject to separate collection.
- Contact local authorities for recycling advice.
- The product can be returned to the manufacturer / dealer who will arrange for the correct disposal.

